

VW SERIES

Vertical Windlass

[Introduction](#)

[Features](#)

[Specifications](#)

[Ordering](#)

[Power and Sailing Boats](#)

[Superyachts](#)

[Accessories](#)



2006 VERSION 1

The VW Series of anchor winches are designed for traditional rope and chain combination anchor rodes, where manual transfer of the rode from the rope warping drum to the chainwheel is required.



Search

go

[Contact us](#)

[About us](#)

3 YEAR
Limited Warranty

DOWNLOAD
PDF

PRINT
PAGE

ACAD
DWG

VWV SERIES

Vertical Windlass

[Introduction](#)

Features

[Specifications](#)

[Ordering](#)



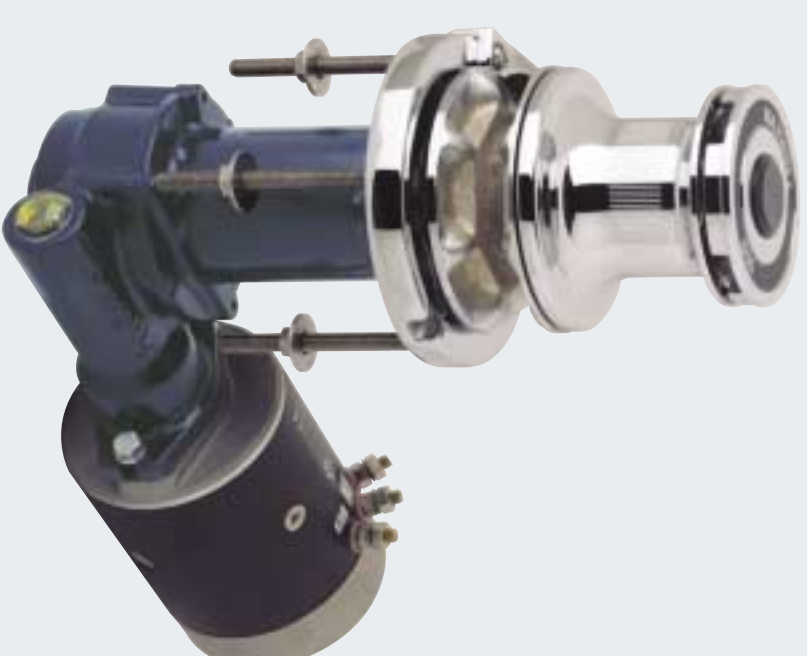
[Power and Sailing Boats](#)

[Superyachts](#)

[Accessories](#)

FEATURES

- Provides the versatility of operating two anchors from one winch.
- Rope hauling from any direction using independent MAX-grip™ warping drum with clutch disengagement of chainwheel.
- Permits use of traditional shackle and thimble rope and chain connection.
- Possibility of an alternative horizontal mounting inside chain locker for below deck installation.
- High-quality finish on above deck components. Heavy chrome over marine-grade alloy bronze.
- Cone type brake/clutch mechanism permits manual “free-fall” anchoring.
- Cone clutches, unlike dog clutches, provide smooth progressive engagement ensuring safe operator control.
- Chainwheel locking pawl (except 500 Series).
- Simplified through deck installation by modular design and precise alignment of gearbox to the topworks utilising marine-grade stainless steel studs.
- Marine-grade alloy gearbox housing, finished with a two coat paint system.
- Heavy duty, dual direction motor, designed for marine winches.
- Easily disassembled for servicing.



Standard equipment

Circuit breaker/isolator panel
Footswitch (supplied with DC units only)
Chainwheel to suit chain sizes specified
Emergency crank handle and clutch control lever (except on VW500)

Options

Additional footswitches, Dual direction solenoid pack
Remote controls, Hydraulic motor
Traditional bronze finish, Chain Stopper*
Wide Mouth Chainpipe, Extra deck clearance kit

Search

go

[Contact us](#)

[About us](#)

3 YEAR
Limited Warranty

download
PDF

PRINT
PAGE

ACAD
DWG

VW SERIES

Vertical Windlass

Introduction Features **Specifications** Ordering



Power and Sailing Boats Superyachts Accessories

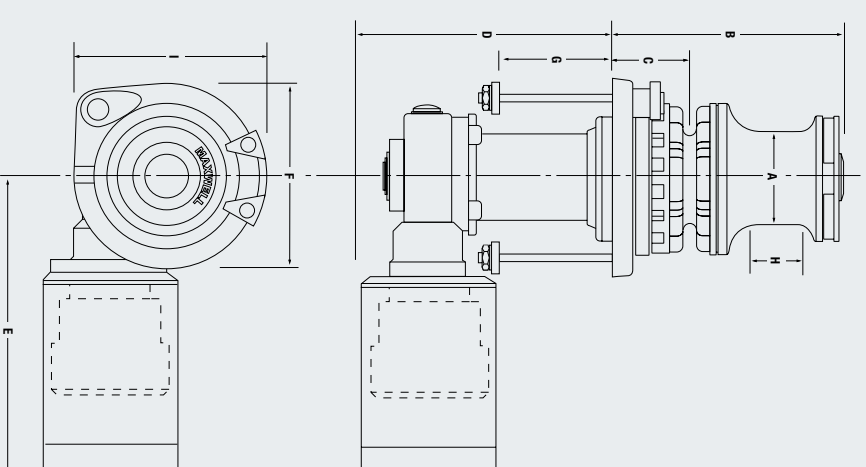
SPECIFICATIONS

MODEL	500	1000	1500	2200	3500
Maximum Pull	227kg 500lbs	455kg 1000lbs	680kg 1500lbs	1000kg 2200lbs	1590kg 3500lbs
Chain Sizes (Short Link)	6mm 1/4"	6-10mm 1/4" -3/8"	6-10mm 1/4" -3/8"	8-10mm 5/16"-3/8"	8-13mm 5/16"-1/2"
Line Speed** (Normal Working)	18m/min 60ft/min	18m/min 60ft/min	18m/min 59ft/min	15m/min 50ft/min	10m/min 33ft/min
Power Supply (DC)	12 or 24V	12 or 24V	12 or 24V	12 or 24V	12 or 24V
Motor (Watts)	600W	1000W	1200W	1200W	1200W
Net Weight - Electric	10kg 22lbs	22kg 50lbs	22kg 50lbs	37kg 81lbs	48kg 105lbs
Hydraulic Pressure	N/A	100bar 1450psi	138bar 2000psi	135bar 1950psi	138bar 2000psi
Hydraulic Flow	N/A	20 l/min 5.3USgal/min	20 l/min 5.3USgal/min	36 l/min 9.5USgal/min	42 l/min 11USgal/min
Net Weight - Hyd	N/A N/A	15kg 34lbs	15kg 34lbs	31kg 68lbs	40kg 88lbs

** Winch performance when hauling rope with capstan.
Chain speed may vary depending on size of chain and gy/psy.

*Important: Maxwell windlasses must be used in conjunction with a chain stopper or snubbing device to take the load off the windlass while laying at anchor. The chain stopper and alternative snubbing system should also be used to secure the anchor in the fully raised position while under way.

SCROLL BAR



Wide Mouth Chainpipe for use with a VW Series windlass to feed the rope and chain below deck. Wide Mouth Chainpipes are designed to easily allow the eye splice and shackle to pass through.



3 YEAR
Limited Warranty

DOWNLOAD
PDF

PRINT
PAGE

ACAD
DWG

Search go [Contact us](#) [About us](#)

VW SERIES

Vertical Windlass

Introduction Features Specifications **Ordering**

Power and Sailing Boats

MODEL	Power and Sailing Boats				
	500	1000	1500	2200	3500
A	65mm 2 9/16"	80mm 3 5/32"	80mm 3 5/32"	94mm 3 11/16"	110mm 4 5/16"
B	144mm 5 11/16"	207mm 8 5/32"	207mm 8 5/32"	251mm 9 15/16"	335mm 13 3/16"
C	35mm 1 3/8"	69mm 2 23/32"	69mm 2 23/32"	80mm 3 5/32"	83mm 3 9/32"
D (Std deck clearance)	180mm 7 3/32"	220mm 8 21/32"	220mm 8 21/32"	290mm 11 13/32"	290mm 11 13/32"
E	244mm 9 19/32"	280mm 11 1/16"	280mm 11 1/16"	185mm 7 9/32"	185mm 7 9/32"
F	125mm 4 15/16"	165mm 6 1/2"	165mm 6 1/2"	190mm 7 1/2"	270mm 10 5/8"
G (Std deck clearance)	57mm 2 1/4"*	100mm 4"	100mm 4"	100mm 4"	100mm 4"
G (Extra deck clearance)	107mm 4 1/4"	150mm 6"	150mm 6"	200mm 8"	200mm 8"
H (Working height of drum for rope warping)	37.5mm 1 15/32"	44mm 1 3/4"	44mm 1 3/4"	33mm 1 5/16"	54mm/105mm 2 1/8"/4 3/16"
I	125mm 4 15/16"	169mm 6 5/8"	169mm 6 5/8"	194mm 7 5/8"	270mm 10 5/8"

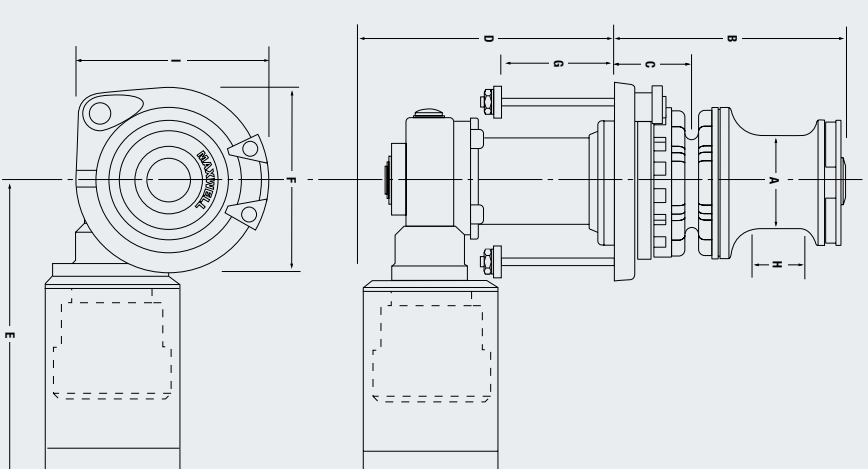
* USA 1/4" (107mm) standard

*Important: Maxwell windlasses must be used in conjunction with a chain stopper or snubbing device to take the load off the windlass while laying at anchor. The chain stopper and alternative snubbing system should also be used to secure the anchor in the fully raised position while under way.



2006 VERSION 1

Accessories



Wide Mouth Chainpipe for use with a VW Series windlass to feed the rope and chain below deck. Wide Mouth Chainpipes are designed to easily allow the eye splice and shackle to pass through.



3 YEAR
Limited Warranty

DOWNLOAD
PDF

PRINT
PAGE

ACAD
DWG

Search go [Contact us](#) [About us](#)